



Indoor Sounderflasher

The **Smarty** indoor sounderflasher has been especially designed for trouble-free assembly and mounting. It is built around a microcontroller which guarantees high-performance and reliability.

Signalling is triggered by powerup. An input terminal allows you to select the trigger mode and sound output level.

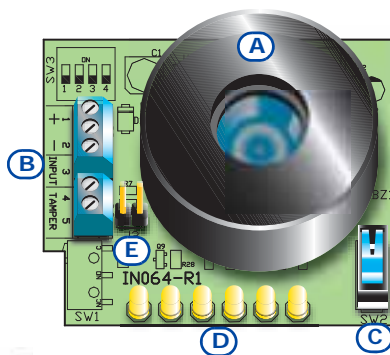
The unit has built-in tamper protection and also provides an output which is capable of sending tamper signals to the intrusion control-panel.



Instructions

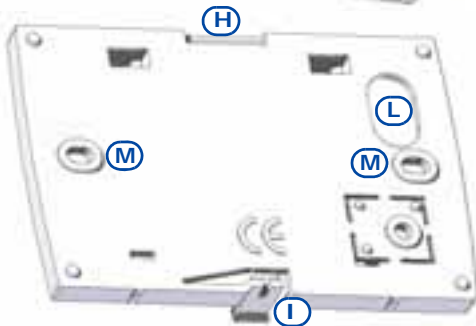
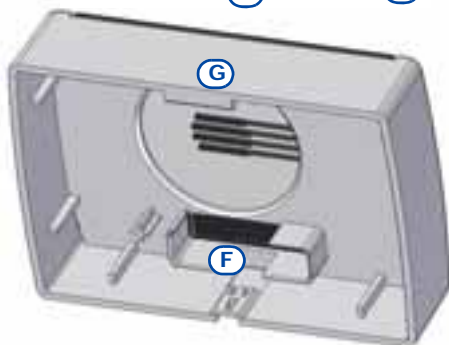
Description of parts

A		Piezoelectric horn
B		Terminal board
C	PCB	Tamper microswitch
D		Flasher
E		Sound level selection connectors
F		Light output
G	Cover	Tongue
H		Tongue location
I	Backplate	Back-locking catch
L		Cable entry
M		Backplate screw locations



Terminal board

n.	icon / name	description
1	+	Positive power terminal supports 27.6V
2	-	Negative power terminal
3	INPUT	Sound level selection terminal
4 - 5	TAMPER	Tamper signalling terminal



Features

- Piezoelectric sounder
- Tamper protection
- Output (voltage-free contact) for tamper signalling
- Plastic casing with anchor-screw locations suitable for 503 electric-switch boxes
- Power and alarm trigger input
- Selectable sound level
- High-performance LED technology flasher

Mountin the unit

1. Lift the back-locking catch on the underside of the unit and detach the backplate from the cover.
2. Pull the connection wires through the cable gland entry.
3. Using 2 anchor anchor screws in the respective locations, mount the backplate to its placement.
4. Complete the connections on the terminal board.
5. Place the tongue (on the top part of the cover) into its location on the backplate, then push the bottom part of the cover gently into position until it snap closes.

Power supply connection

Audible and visual signalling is triggered by voltage input.

Extra connections

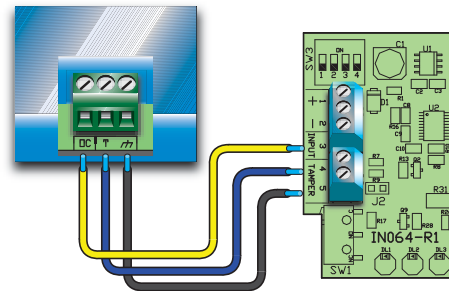
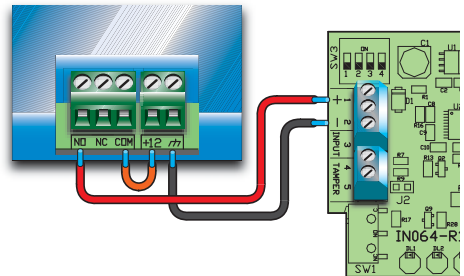
The **INPUT** terminal also allows you select the sound volume:

Jumper	INPUT open	INPUT closed to GND
Not inserted	High Volume	Low Volume
Inserted	High Volume	No sound emission

By connecting terminals **4-5** to one of the control panel inputs, any tamper signals on the sounderflasher will also be signalled on the control panel.

Technical specifications	Value
Operating voltage	27.6 V=
Max. current draw	50 mA
Horn output MAX (@ 1m)	105 db(A)
Flashes per minute	60
Max. alarm time	8 min
Protection rating	IP 31
Operating temperature	-5 to +40 °C
Dimensions (L xA xP)	111 x 75 x 30 mm
Weight	110 g

Wiring diagrams



INIM Electronics reserves the right to change the technical specifications of this product without prior notice.

INIM Electronics s.r.l.
 via Fosso Antico, Centobuchi
 63033, Montepandone, (AP) Italy
 Tel. +39 0735 70 50 07
 Fax + 39 0735 70 49 12
www.inim.biz info@inim.biz