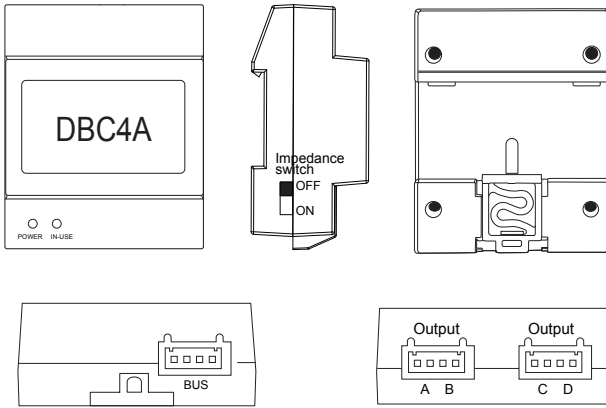


1. Parts and Functions



IN-USE:Status indicator,it will light up when receives signal.

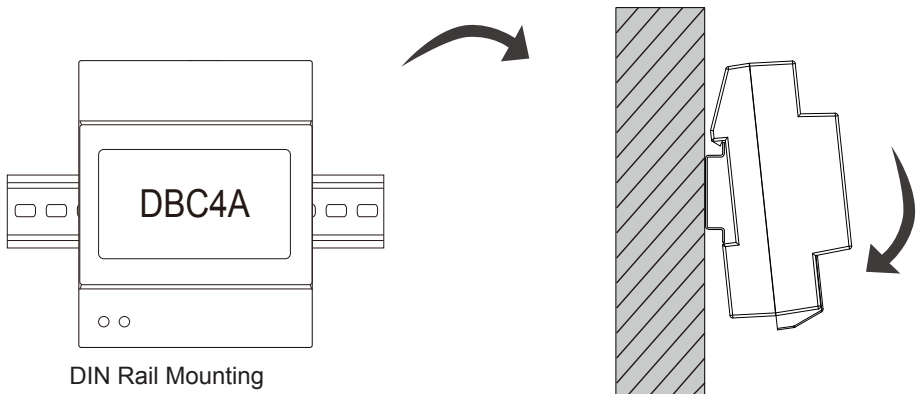
POWER:Working indicator,it will light up when plugs in power supply.

Impedance Switch:Video match switch,the last DBC4A at the end of the bus should set ON to match the video impedance,the power indicator will turn to orange after setting.

Bus:Input port,bus connection port.

A,B,C,D:Output port,connect to indoor monitors or door stations.

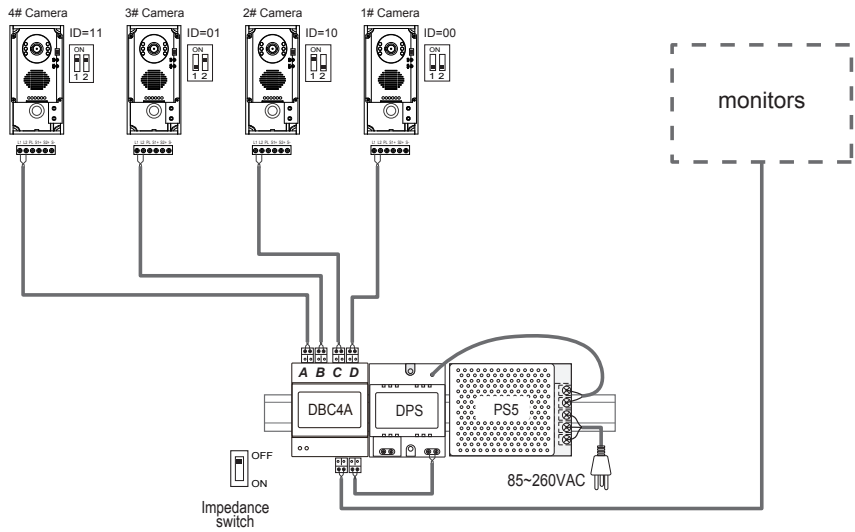
2. Unit Mounting



DIN Rail Mounting

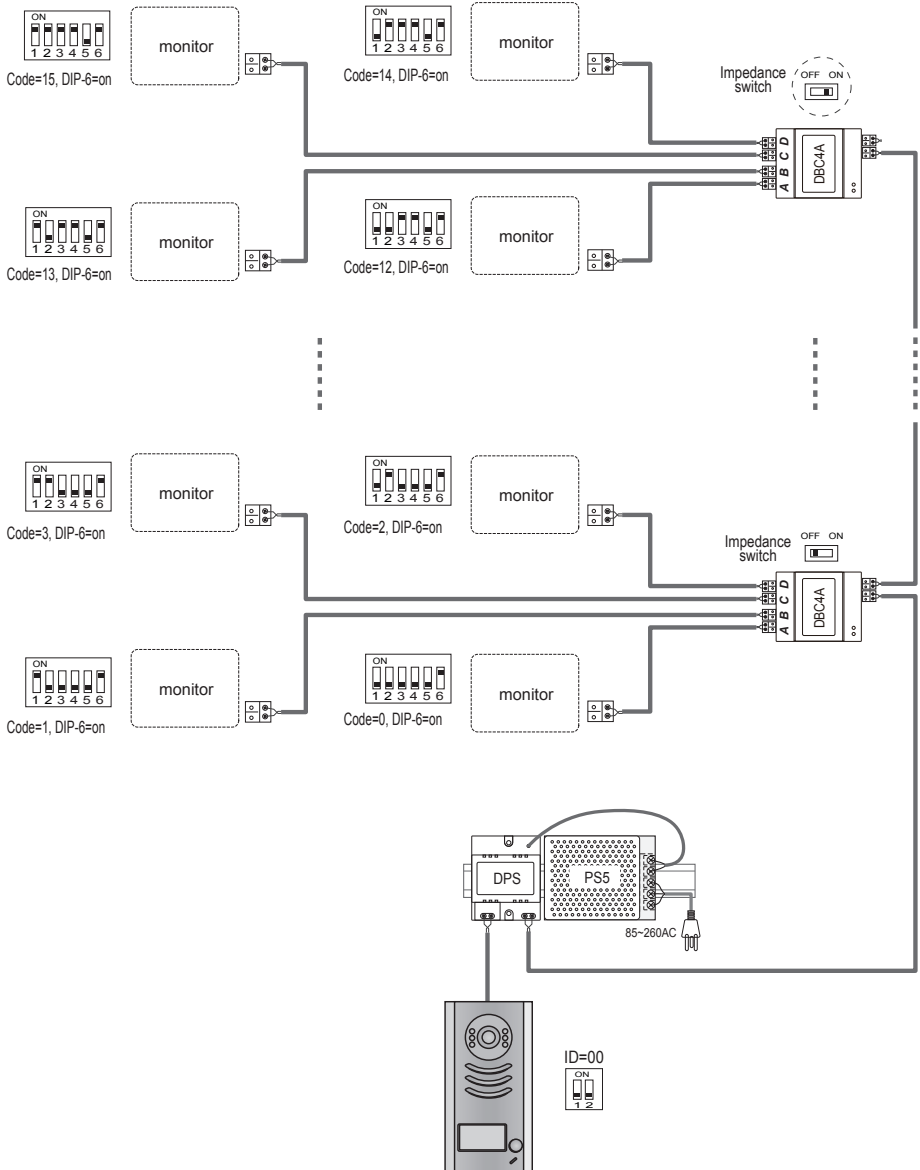
3. System Wiring with DBC4A

Mult Door Station Wiring:



Note: DBC4A applies to all door station and monitor, the diagram uses DT591 as an example.

Mult Monitors Wiring:



5. Specification

Power Supply :	DC20~30V
Working Temperature:	-10°C~+40°C;
Wiring:	2 wires (non-polarity);
Dimension:	89(H)×71(W)×45(D)mm

The design and specifications can be changed without notice to the user. Right to interpret and copyright of this manual are preserved.