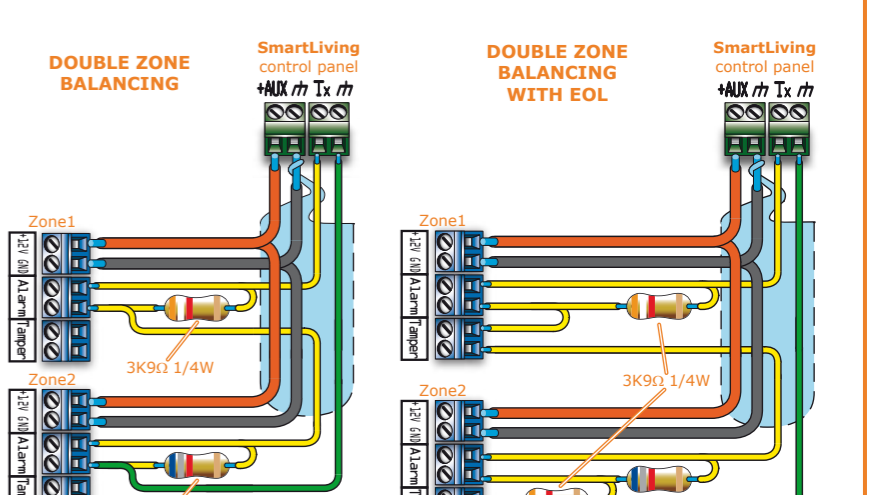
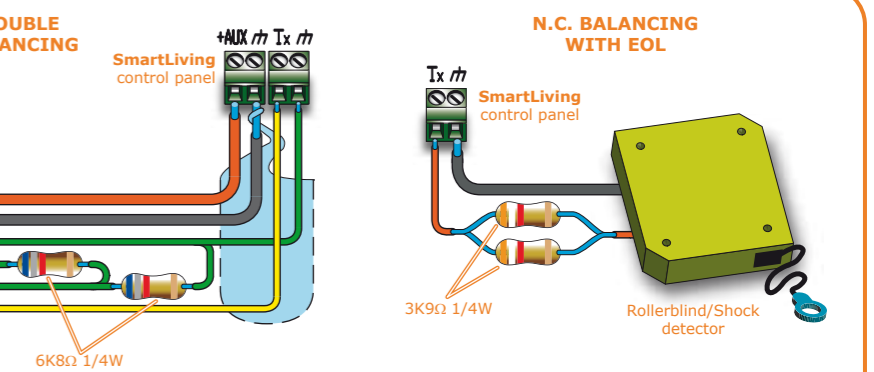
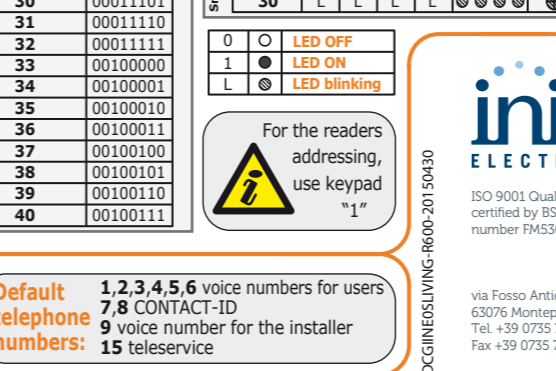
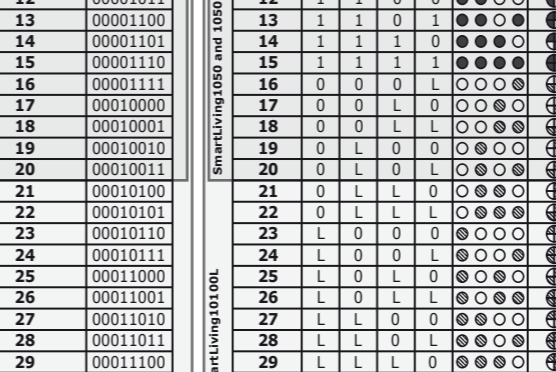
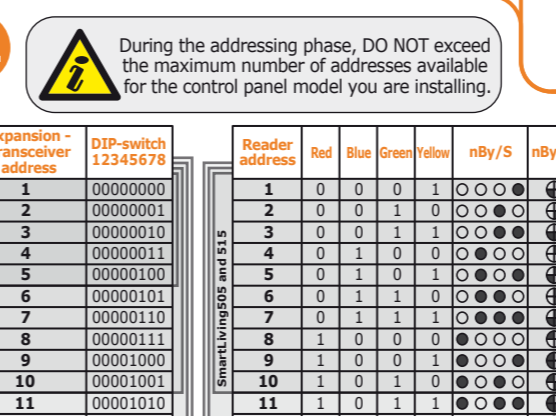
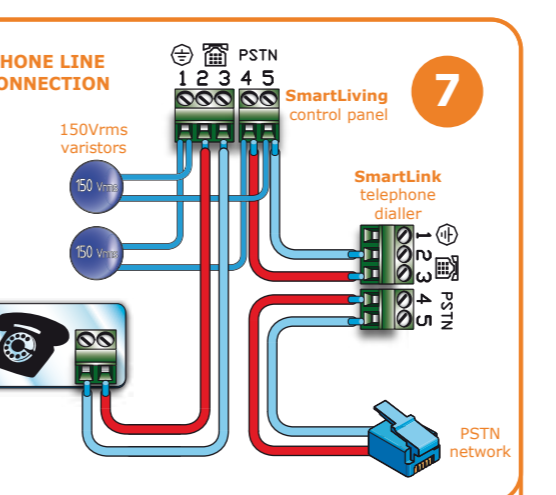
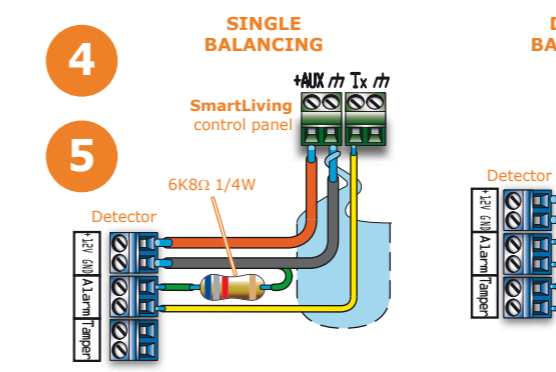
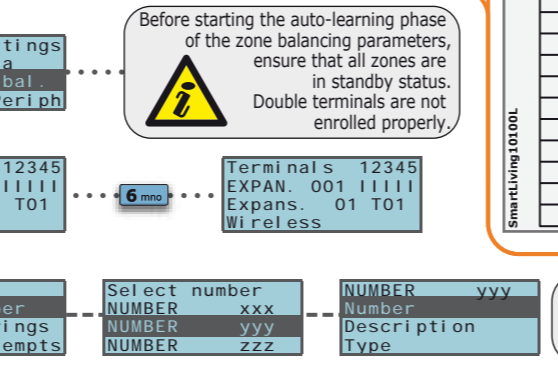
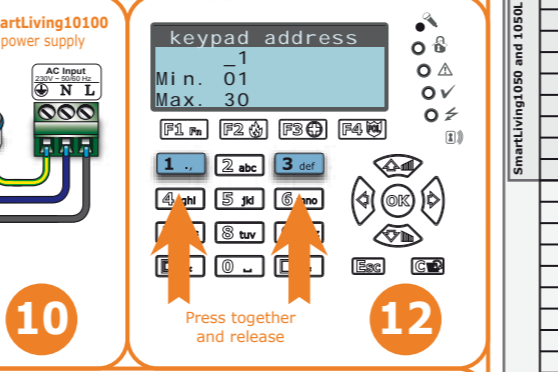
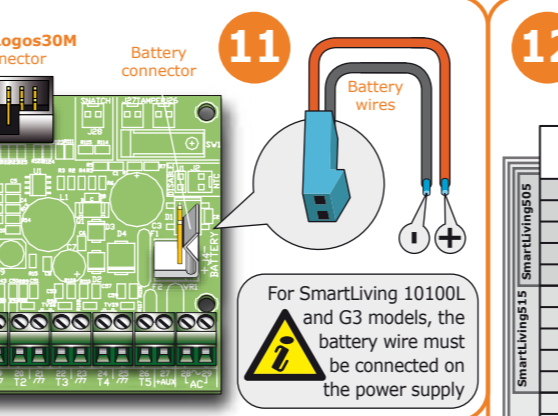
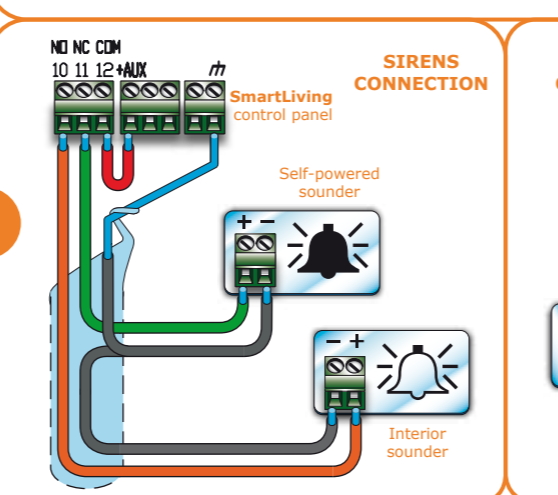
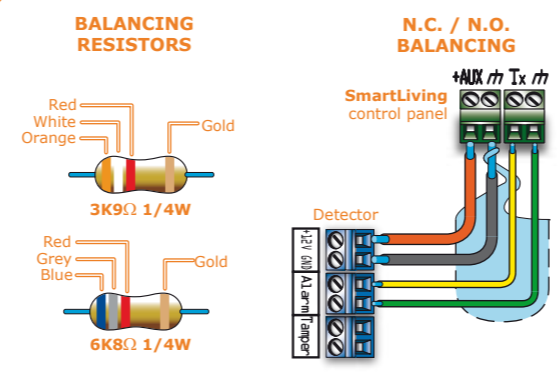
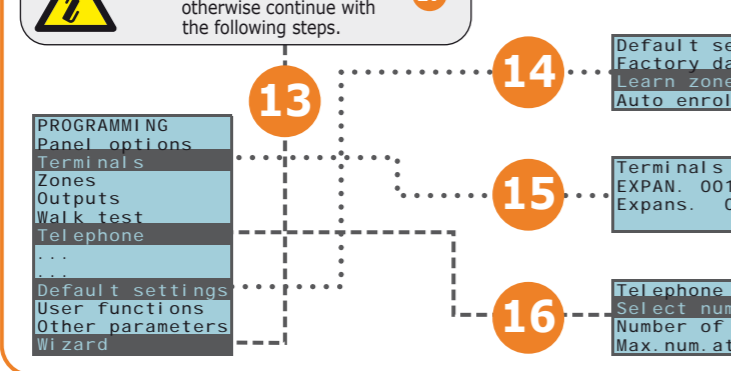
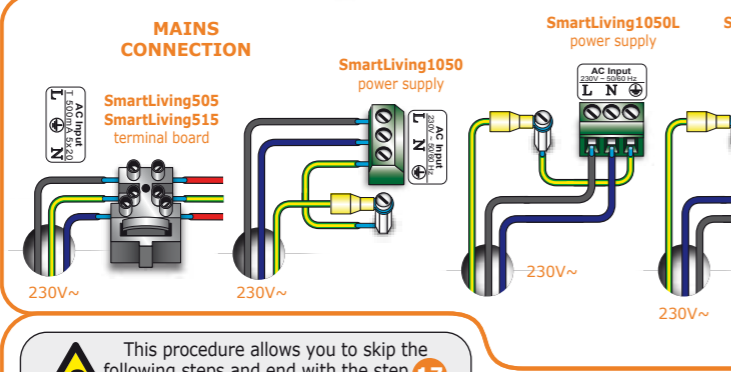
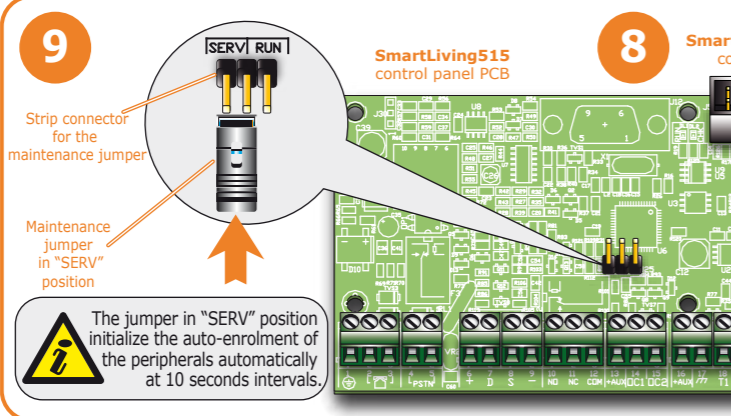
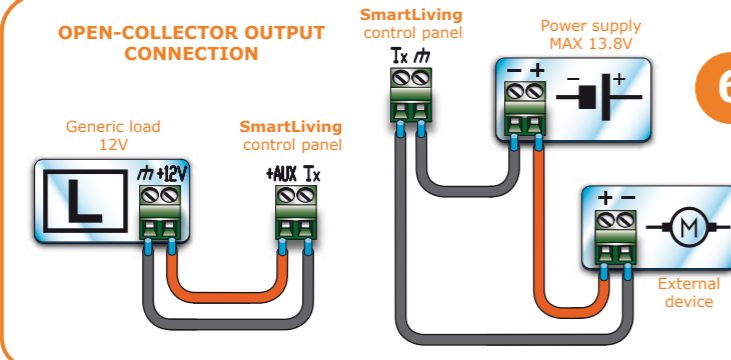
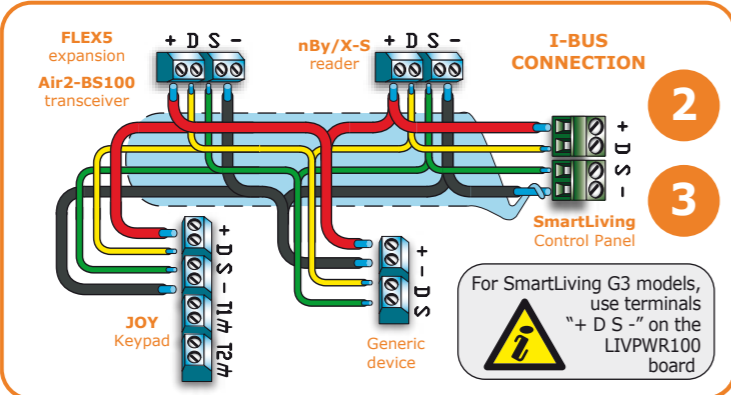


# QUICK GUIDE TO FIRST POWER UP

- 1 Attach to the wall the control panel enclosure and the open tamper (optional)
- 2 Connect the peripherals to the BUS.
- 3 Connect the BUS to the control panel.
- 4 Set the balancing parameters of the system detectors.
- 5 Connect the system detectors to the terminals.
- 6 Connect the outputs to the control panel and peripheral terminals.
- 7 Connect the telephone line to the control panel.
- 8 Connect the SmartLogos30M to the motherboard (PCB).
- 9 Insert the maintenance jumper in "SERV" position.
- 10 Connect the primary power source (Mains 230V~ ±10%, 50/60 Hz).
- 11 Connect the backup battery.
- 12 Set the addresses of the peripherals.
- 13 Start the quick programming wizard.
- 14 Acquire automatically the zone balancing via the installer menu.
- 15 Configure "Wireless" terminals.
- 16 Edit the voice and digital dialer contact numbers.
- 17 Insert the maintenance jumper in "RUN" position.

**Attention!**  
Before starting the installation procedure, read carefully through the installation and programming manuals.



**12** During the addressing phase, DO NOT exceed the maximum number of addresses available for the control panel model you are installing.

Expansion - Transceiver address	DIP-switch 12345678	Reader address	Red	Blue	Green	Yellow	nBy/S	nBy/X	Keypad address
1	00000000	1	0	0	0	1	0	0	1
2	00000001	2	0	0	1	0	0	0	2
3	00000010	3	0	0	1	1	0	0	3
4	00000011	4	0	1	0	0	0	0	4
5	00000100	5	0	1	0	1	0	0	5
6	00000101	6	0	1	1	0	0	0	6
7	00000110	7	0	1	1	1	0	0	7
8	00000111	8	1	0	0	0	0	0	8
9	00001000	9	1	0	0	1	0	0	9
10	00001001	10	1	0	1	0	0	0	10
11	00001010	11	1	0	1	1	0	0	11
12	00001011	12	1	1	0	0	0	0	12
13	00001100	13	1	1	0	1	0	0	13
14	00001101	14	1	1	1	0	0	0	14
15	00001110	15	1	1	1	1	0	0	15
16	00001111	16	0	0	0	L	0	0	16
17	00010000	17	0	0	L	0	0	0	17
18	00010001	18	0	0	L	L	0	0	18
19	00010010	19	0	L	0	0	0	0	19
20	00010011	20	0	L	0	L	0	0	20
21	00010100	21	0	L	L	0	0	0	21
22	00010101	22	0	L	L	L	0	0	22
23	00010110	23	L	0	0	0	0	0	23
24	00010111	24	L	0	0	L	0	0	24
25	00011000	25	L	0	L	0	0	0	25
26	00011001	26	L	0	L	L	0	0	26
27	00011010	27	L	L	0	0	0	0	27
28	00011011	28	L	L	0	L	0	0	28
29	00011100	29	L	L	L	0	0	0	29
30	00011101	30	L	L	L	L	0	0	30
31	00011110								
32	00011111								
33	00100000								
34	00100001								
35	00100010								
36	00100011								
37	00100100								
38	00100101								
39	00100110								
40	00100111								

0  LED OFF  
1  LED ON  
L  LED blinking

For the readers addressing, use keypad "1"

Default telephone numbers: 1,2,3,4,5,6 voice numbers for users  
7,8 CONTACT-ID  
9 voice number for the installer  
15 teleservice



**SmartLiving**  
Anti-intrusion control panels and security systems  
Installation and programming guide



GameOver

# QUICK GUIDE TO PROGRAMMING FROM THE KEYPAD

**Default Access codes and Options:**

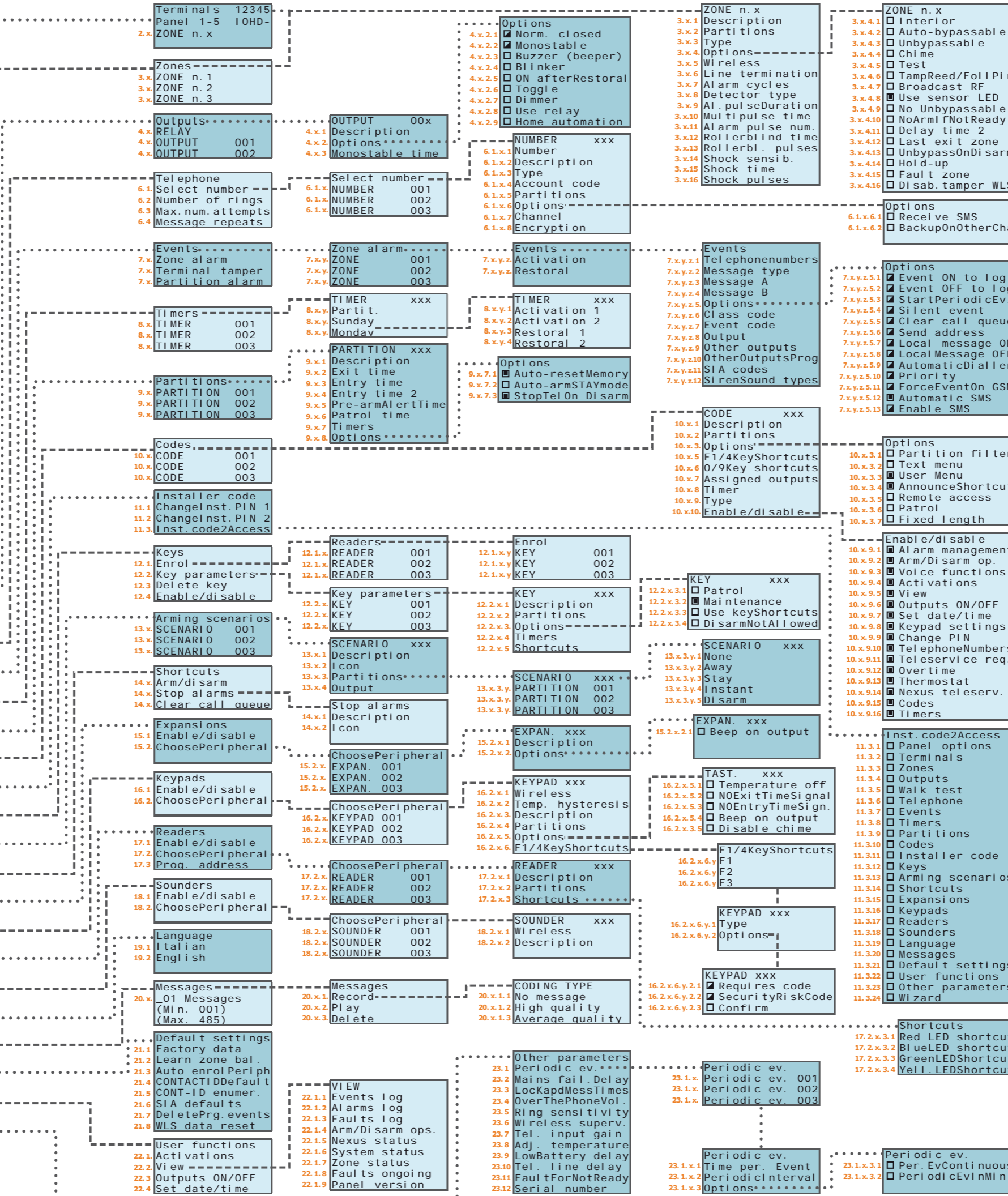
**9999** : installer code  
**0001** : user code 1

: enabled option  
 : disabled option  
 : enablement depending on the parameter

Type in code \*\*\*\*\*

- 1. Panel options
- 2. Terminals
- 3. Zones
- 4. Outputs
- 5. Walk test
- 6. Telephone
- 7. Events
- 8. Timers
- 9. Partitions
- 10. Codes
- 11. Installer code
- 12. Keys
- 13. Arming scenarios
- 14. Shortcuts
- 15. Expansions
- 16. Keypads
- 17. Readers
- 18. Sounders
- 19. Language
- 20. Messages
- 21. Default settings
- 22. User functions
- 23. Other parameters
- 24. Wizard

- 1.1 Panel options
  - Dial tone check
  - Pulse dialling
  - DTMF without Code
  - Line down signal
  - Double call
  - Call all VOXNums
  - Call all TLVNums
  - RefreshMnstblOut
  - Num15ForTel eserv
  - Install call back
  - ReaderBuzzer OFF
  - Keypad lockout
  - View open zones
  - OpenZonesArmLock
  - DTMF sensitivity
  - BypassAl soTamp
  - BypassVoi ceCheck
  - Confirm with \*
  - NoUserTamp. reset
  - Data encryption
  - Instant restoral
  - Tel eserv. hidden
  - LockInstall. Code
  - 50131ReadLedOFF
  - 50131StatHid den
  - 50131I consHid den
  - 50131Al arDel ayed
  - 50131WarnLedMem
  - DayLightSav. time
  - NoStri ngsSIAProt
  - AllSIAIP OnPerEv
  - CONT-IDInversi on
  - Dust event enab.
  - Maintenance
  - Show scenario
  - Tamper siren
  - Squawk on arming
  - Future use
  - 50131 grade 3
  - Alarm on keypads
  - SingleCall EachEv
  - Disab. GPRS fault
  - Disab. Tel. Di sarm
  - NoStrings SIA-IP
  - 115200 BPS
  - UTC timeOnSIA-IP



CONTROL PANEL PCB TERMINAL BOARD					
n.	icon/identifier	SmartLiving model			
		505	515	1050	1050L
1		Earth connection			
2-3		Internal telephone device connection			
4-5	PSTN	Telephone line connection			
6-7-8-9	+ D S -	I-BUS connection terminals			
10-11-12	NO NC COM	Free-voltage terminals of the relay output			
13	+AUX	Ancillary power terminal @12V			
14-15	OC1 OC2	Open-collector output terminals (2)			
16	+AUX	Ancillary power terminal @12V			
17-19-21-23-25		Negative power terminals (negative or GND)			
18-20-22-24-26	T1-T2-T3-T4-T5	Inputs terminals of T1,T2,T3,T4 and T5 on the panel			
27	+AUX	Ancillary power terminal @12V			
28-29	AC	Transformer power-input terminals			
28-30-32-34-36	T6-T7-T8-T9-T10	Inputs terminals of T6,T7,T8,T9 and T10 on the panel			
29-31-33-35		Negative power terminals (negative or GND)			
37	+AUX	Ancillary power terminal @12V			

LIVPWR100 PCB TERMINAL BOARD				
n.	icon/identifier	SmartLiving model		
		1050/G3	1050L/G3	10100L/G3
1-2-3-4	+ D S -	I-BUS connection terminals		
5	+AUX1	Ancillary power terminal @12V		
7	+AUX2	Ancillary power terminal @12V		
9	+AUX3	Ancillary power terminal @12V		
6-8-10		Negative power terminals (negative or GND)		

- DEFAULT SETTINGS**
- Keypads**
- Keypad "1" enabled at first power up only (not at reset)
  - assigned to partition 1
  - 12 programmed shortcuts: Arm Scenario 1 - Arm Scenario 2 - Clear call queue - Delete memory - Activation menu zones (bypass) - View alarms - View faults - Time/date - Voice functions menu - Intercom call - Change PIN - Keypad settings menu
- Readers nBy**
- assigned to partition 1
  - shortcut associated with red LED: Arm Scenario 1
- Partitions**
- entry time and exit time set at 30 seconds
  - auto-reset memory on arming
- Terminals**
- terminals on panel: inputs
  - terminals on expansions: inputs
  - terminals on keypads: unused
- Zones**
- assigned to partition 1
  - with N.C balancing (normally closed)
  - panel zones T1 and T2 are delayed; all others are instant
  - unlimited alarm cycles (repetitive)
- Outputs**
- relay output is monostable, normally closed, monostable time set at 3 minutes
- Scenarios**
- scenario 1: away arm partition 1
  - scenario 2: disarm partition 1
- Codes**
- user code 1 is assigned to all partition
  - all other user codes are assigned to no partitions
  - only Code 1 is a "Master" user code
  - all sections of the user menu enabled
  - 8 shortcuts (keys F1-F4) programmed: Clear call queue - Activate Output 2 - Deactivate Output 2 - View zone status - View system status - Enable answerphone - Enable teleservice - Teleservice request
  - 6 shortcuts (keys 1 to 6) programmed: Listen-in - Arm Scenario 1 - Arm Scenario 2 - Stop alarms - Activate Output 2 - Deactivate Output 2
  - voice guide option enabled
- Keys**
- assigned to partition 1
  - Maintenance option enabled
- Telephone**
- phonebook numbers 1 to 6 are voice numbers (for users)
  - phonebook numbers 7 and 8 are Alarm Receiving Centre numbers CONTACT-ID
  - phonebook number 9 is a voice number (for the installer)
  - phonebook number 15 is the Teleservice number
- Zone alarm and tamper events**
- relay output activated
  - "Other outputs / Sounder 1" output activated
  - event-start generates calls to numbers 1 to 8
  - event-restoral generates calls to numbers 7 and 8
- Bypassed zone (zone Off) events**
- generates calls to numbers 7 and 8
- Arm/Disarm partition events**
- generates calls to numbers 7 and 8
- Partition overtime request events**
- generates calls to numbers 7 and 8
- Emergency key events**
- event-start generates calls to numbers 1 to 8
- Open/Dislodged panel and peripheral tamper events**
- relay output activated
  - "Other outputs / Sounder 1" output activated
  - event-start generates calls to numbers 1 to 8
  - event restoral generates calls to numbers 7 and 8
- Fault, mains failure, peripheral loss, low battery and output fault events**
- activate output 1
  - generate calls to number 9 (voice calls to the installer)
- Sounders**
- sounder and flasher shut off: Reset partition (Partition 1)