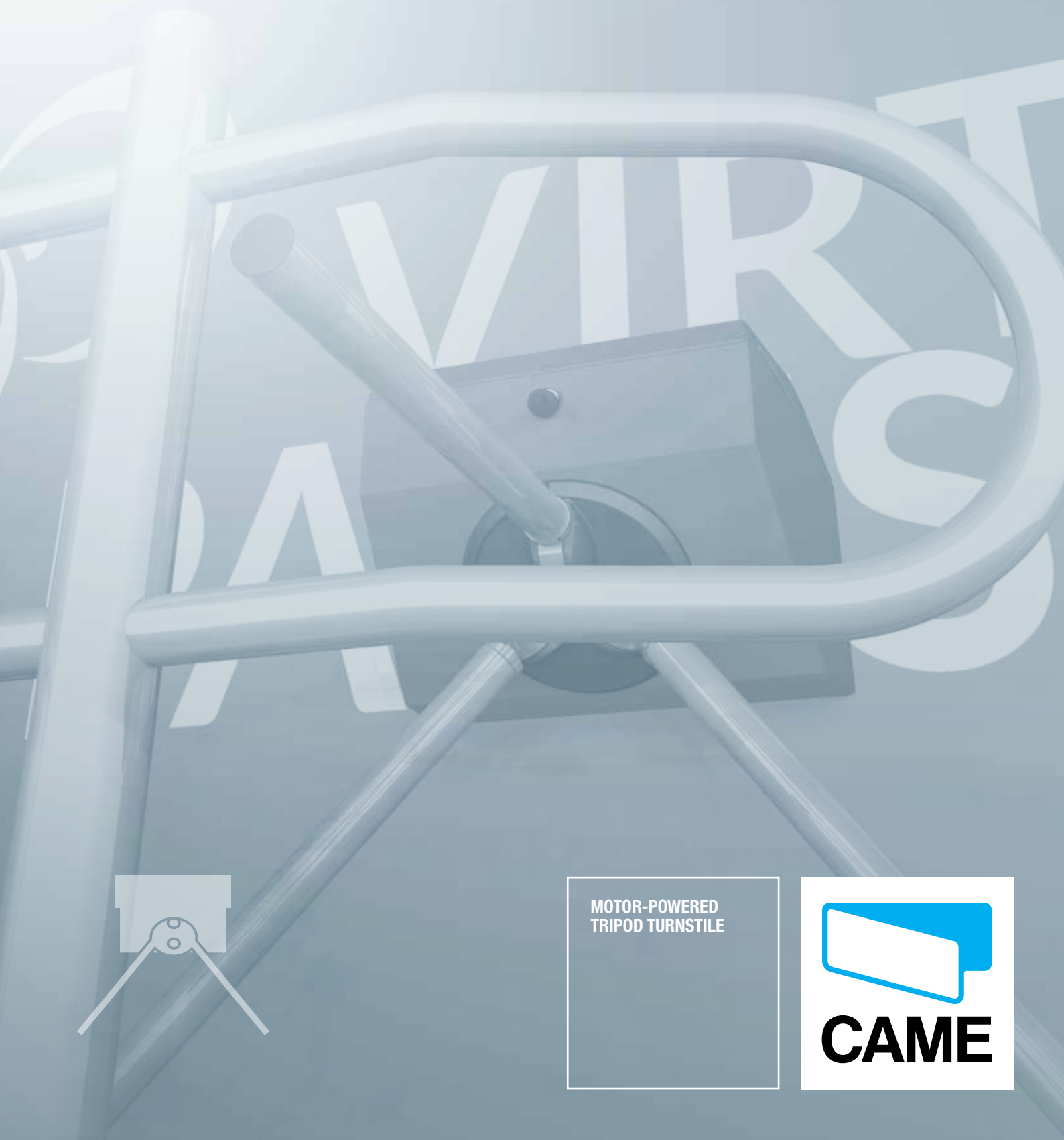


Stile One



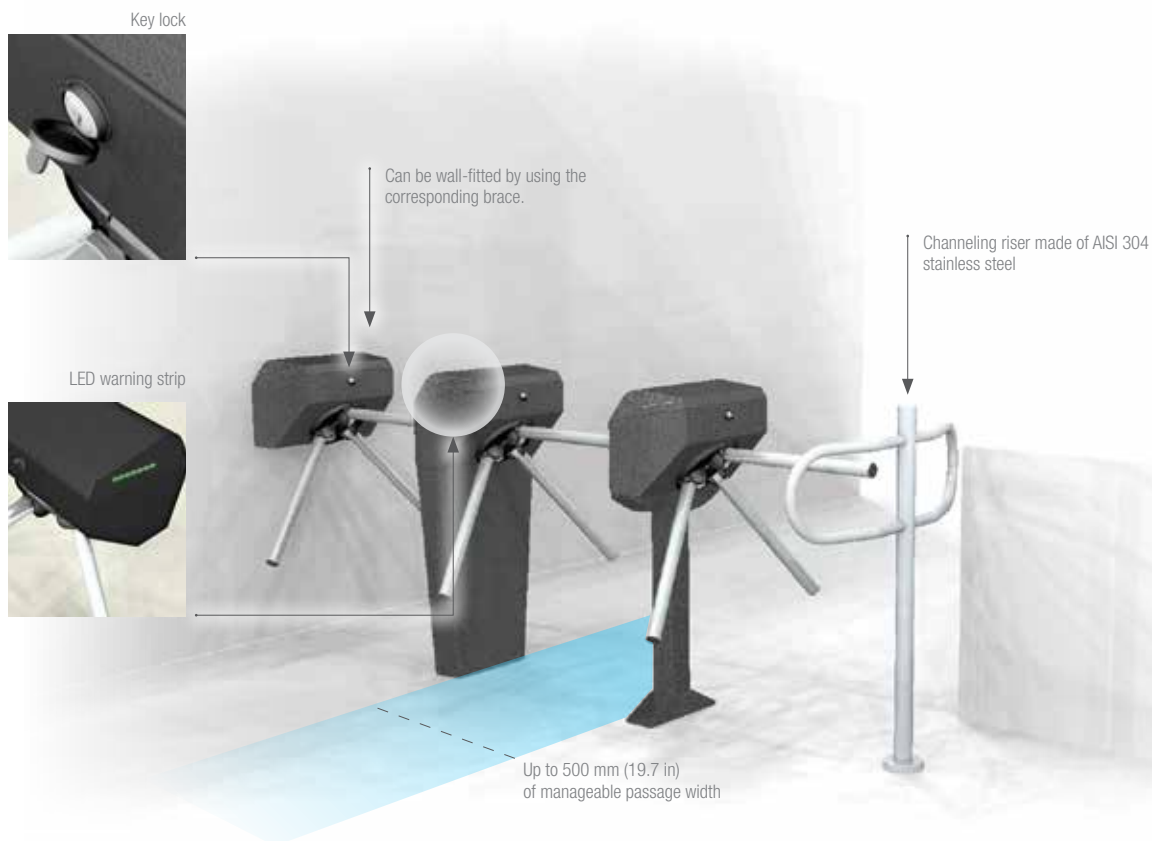
MOTOR-POWERED
TRIPOD TURNSTILE



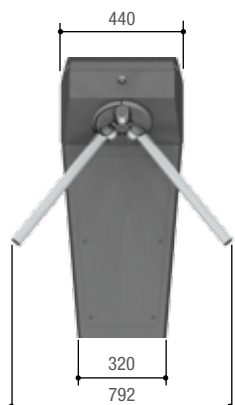
CAME

Practical and functional.

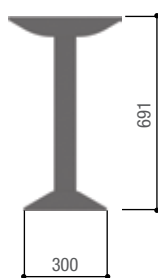
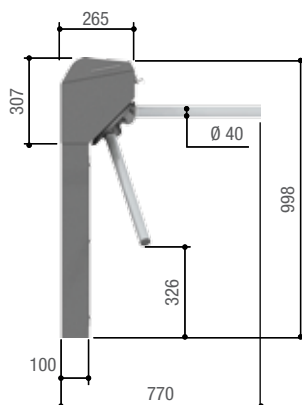
Stile One is the quick and sturdy, motor-powered, bidirectional, tripod turnstile, for all transit control and selection needs, even in areas with high volumes of passages. Its main feature is that it is fitted onto a tube post or to a wall, and is extremely easy and quick to set up.



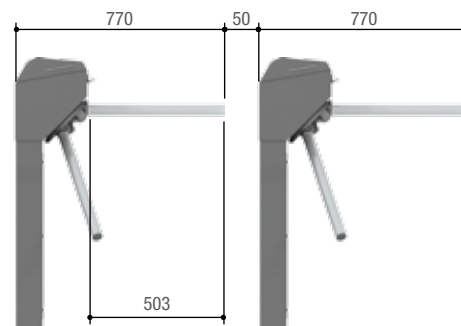
Dimensions (mm)



Version with: 001PSMMA-C



001PSMMA-D



Benefits become solutions.

STURDY AND EASY TO INSTALL

- Stile One is bidirectional and selective, in that it allows passage to one person at a time, in the chosen direction. Once it receives a command, the tripod turns slightly as an invitation to pass through; the moment it detects the user's push, it completes the rotation to then position itself again for the next passage.
- The contained dimensions let you install it even when space is an issue.
- Stile One can be even installed to a wall, with no additional braces.

CHARACTERISTICS AND FUNCTIONALITIES

- Built using varnished steel, complete with control board.
- The tripod arms are made of AISI 304 steel.
- Programming and checking are completely managed via remote control using the CRP (Came Remote Protocol), through the access control system.
- Tamper-proof system: the Encoder detects any attempts at forced entry and sends an alert to the standard beeper.
- Fall-away arm system: during emergencies and power outages, the horizontal tripod-arm drops to free up the passage immediately (001PSMM02).
- During power outages the tripod can be turned in either direction (001PSMM01).
- Optional LED warning strip to indicate events on either side.
- Control board with function display, set up for connecting to the CAME Rbm84 access control system. It is complete with slots to take extra R700 control boards for managing the TSP00 or LT001 control devices.
- Memory roll for backing up settings and memorized users.

Find out more about the full range of
CAME products at came.com

CAME is a market leading company in the manufacturing of motor-powered operators for homes, industries and large, special technological projects.

CAME offer

It offers a full range of household solutions: from gate and garage door operators, to awning winding motors. The range also includes home automation control, CCTV, burglary alarms as well as video door entry systems.

Technology and reliability to serve your business, thanks to solutions designed for powering large industrial doors, automatic doors, street barriers, turnstiles, access control point and parking facilities.





MODEL

	PSMM01	PSMM02
Protection rating (IP)	44	44
Power supply (V - 50/60 Hz)	120 - 230 AC	120 - 230 AC
Nominal power (W)	120	120
Stand-by consumption (W)	4	10
Weight (Kg)	22	25
Insulation class	I	I
Operating temperature (°C / °F)	-20 ÷ +55 / -4 ÷ +131	-20 ÷ +55 / -4 ÷ +131
Max amount of passages/min*	30	30

* Detectable in free-access mode ● 230 V AC

SOME VERSIONS MAY NOT BE AVAILABLE IN YOUR COUNTRY. FOR MORE INFORMATION PLEASE CHECK WITH YOUR LOCAL AUTHORIZED DEALER.

THE RANGE:



1. 001PSMM01 - Bidirectional motor-powered varnished galvanized-steel turnstile, complete with control board. Tripod automatically releases during power outages.
2. 001PSMM02 - Bidirectional motor-powered varnished galvanized-steel turnstile, complete with control board and fall-away arm system.

DEDICATED ACCESSORIES



1. 001PSMMA-A - Two LED warning strips.
2. 001PSMMA-B - Wall-fitting brace.
3. 001PSMMA-C - Single-leg hollow-core rest.
4. 001PSMMA-D - Tube leg.
5. 001PSOPGO1 - Channelling riser made of AISI 304 steel complete with arch, galvanized steel fastening flange and chromed-plastic flange cover. H = 1,000 mm.
6. 001PSOPGO1X - Channelling riser made of AISI 304 steel complete with arch, fastening flange and flange cover. H = 1,000 mm.



Came S.p.A. is Quality, Environment and Safety certified

in compliance with:
UNI EN ISO 9001
UNI EN ISO 14001
BS OHSAS 18001



Came S.p.A.

Via Martiri della Libertà, 15
 Dosson di Casier
 Treviso - Italy

www.came.com