

## DS-2CE12DFT-F 2 MP Full Time Color Bullet Camera

ColorVu



### Key Feature

- 2 MP high performance CMOS
- 1920 × 1080 resolution
- Full time color
- 3.6 mm, 6 mm fixed lens
- Up to 40 m white light distance
- OSD menu, 3D DNR, true WDR
- 4 in 1 video output (switchable TVI/AHD/CVI/CVBS)
- IP67
- Up the coax (HIKVISION-C)



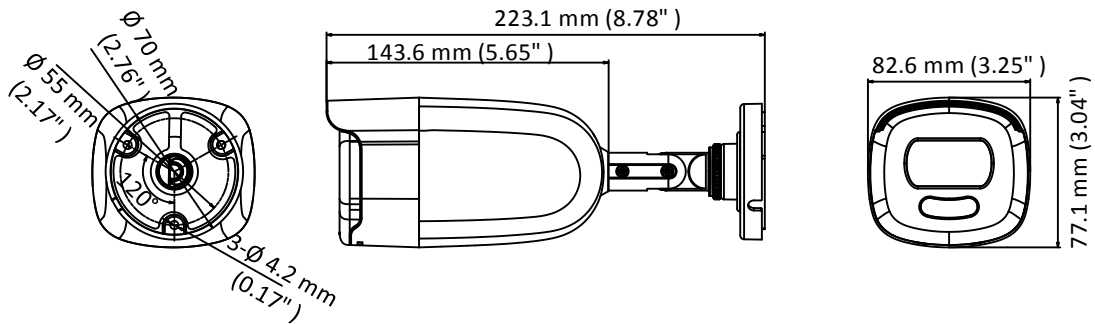
## Spcification

<b>Camera</b>	
Image Sensor	2 MP CMOS image sensor
Resolution	1920 (H) × 1080 (V)
Frame Rate	PAL: 1080p@25fps NTSC: 1080p@30fps
Min. illumination	Color: 0.0005 Lux @ (F1.0, AGC ON), 0 Lux with white light
Shutter Time	PAL: 1/25 s to 1/50, 000 s NTSC: 1/30 s to 1/50, 000 s
Slow Shutter	Max. 16x
Lens	3.6 mm, 6 mm fixed lens
Field of View	3.6 mm, horizontal FOV: 83.0°, vertical FOV: 44.4°, diagonal FOV: 98.0° 6 mm, horizontal FOV: 51.0°, vertical FOV: 28.5°, diagonal FOV: 58.7°
Lens Mount	M16
Day & Night	Color
Angle Adjustment	Pan: 0° to 360°; Tilt: 0° to 180°; Rotate: 0° to 360°
Synchronization	Internal synchronization
WDR (Wide Dynamic Range)	130 dB
<b>Menu</b>	
Image Mode	STD/HIGH SAT
AGC	Yes
White Balance	Auto/Manual
HLC	Yes
BLC (Backlight Compensation)	Yes
Privacy Mask	4 programmable privacy masks
Motion Detection	4 programmable areas
WDR	Yes
Functions	Brightness, Sharpness, 3D DNR, Mirror, Smart light
<b>Interface</b>	
Video Output	1 HD analog output
Switch Button	TVI/AHD/CVI/CVBS
<b>General</b>	
Operating Conditions	-40 °C to 60 °C (-40 °F to 140 °F), humidity: 90% or less (non-condensation)
Power Supply	12 VDC ± 25% <i>*You are recommended to use one power adapter to supply the power for one camera.</i>
Power Consumption	Max. 4.2 W
Protection Level	IP67
Material	Front Cover: Metal Main Body: Plastic Bracket: Metal
White Light	Up to 40 m
Communication	Up the coax, Protocol: HIKVISION-C (TVI output)
Dimensions	223.1 mm × 77.1 mm × 82.6 mm (8.78" × 3.04" × 3.25")
Weight	Approx. 436 g (0.96 lb.)

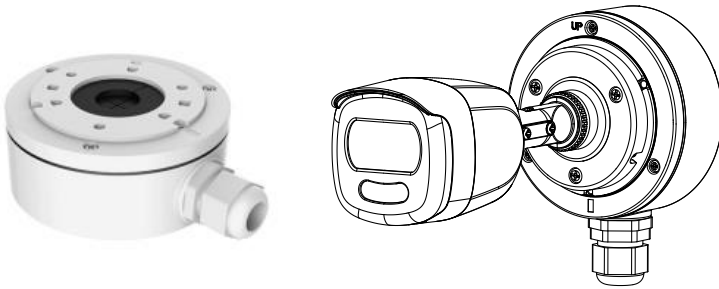
## Order Model

DS-2CE12DFT-F

## Dimension



## Accessory



DS-1280ZJ-XS

Junction Box

Distributed by



### Headquarters

No.555 Qianmo Road, Binjiang District,  
Hangzhou 310051, China  
T +86-571-8807-5998  
overseasbusiness@hikvision.com

**Hikvision USA**  
T +1-909-895-0400  
sales.usa@hikvision.com

**Hikvision Europe**  
T +31-23-5542770  
saleseuro@hikvision.com

**Hikvision Middle East**  
T +971-4-8816086  
salesme@hikvision.com

**Hikvision Russia**  
T +7-495-669-67-99  
saleru@hikvision.com

**Hikvision India**  
T +91-22-28469900  
sales@pramahikvision.com

**Hikvision Italy**  
T +39-0438-6902  
info.it@hikvision.com

**Hikvision France**  
T +33(0)1-85-330-444  
info.fr@hikvision.com

**Hikvision Spain**  
T +34-91-737-16-55  
info.es@hikvision.com

**Hikvision Poland**  
T +48-22-460-01-50  
poland@hikvision.com

**Hikvision UK**  
T +44-1628-9021-4  
support.uk@hikvision.com

**Hikvision Singapore**  
T +65-6684-4718  
sg@hikvision.com

**Hikvision Oceania**  
T +61-2-8599-4233  
salesau@hikvision.com

**Hikvision Hong Kong**  
T +852-2151-1761

**Hikvision Canada**  
T +1-909-895-0400  
sales.usa@hikvision.com