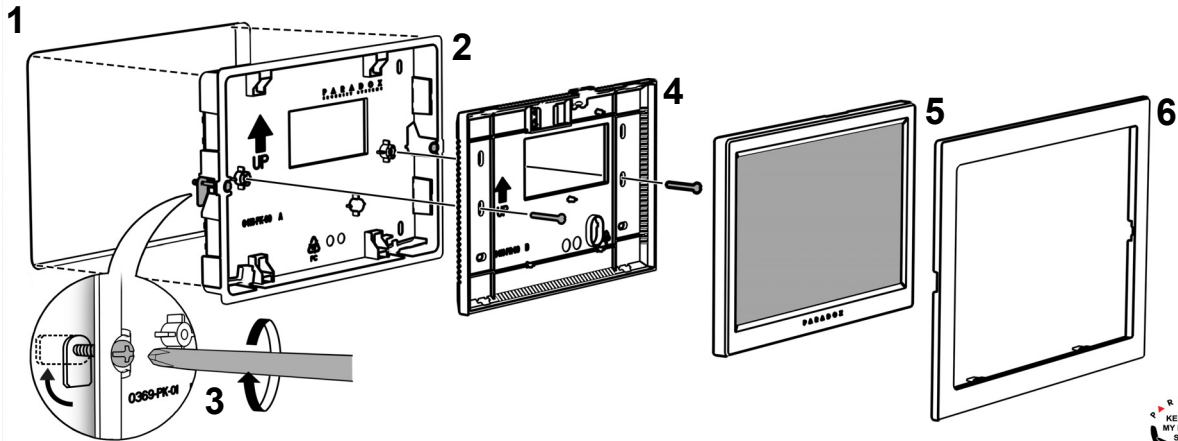


P ▲ R ▲ G ▲ D ▲ O ▲ X™
**TM70 In-Wall Bracket
Installation Manual**

Instructions

1. Select the location for the TM70 and cut out drywall using the back cover of the in-wall bracket as a guide.
2. Insert back cover of the in-wall bracket, make sure the arrow is pointing in the UP position.
3. Screw the drywall anchors until they flush to the wall; do not over tighten.
4. Secure TM70 backplate into the in-wall bracket.
5. Mount the TM70 into its backplate.
6. Clip TM70 in-wall bracket cover to the backplate of the TM70 in-wall bracket.



TM70WB-EI00