

DH-IPC-HFW81200E-Z

12 Megapixel Ultra HD Network Bullet Camera



Features

- 1/1.7" 12Megapixel progressive scan CMOS
- Support H.264&MJPEG dual codec
- Max 15fps@12Mp(4000×3000),25/30fps@4K(3840x2160)
- DWDR,Day/Night(ICR), 3DNR, AWB, AGC, BLC
- Multiple network monitoring: Web viewer, CMS(DSS/PSS) & DMSS
- 4.1mm ~16.4mm motorized lens
- Max. IR LEDs Length 50m
- IP67, PoE

DH-IPC-HFW81200E-Z

Technical Specifications

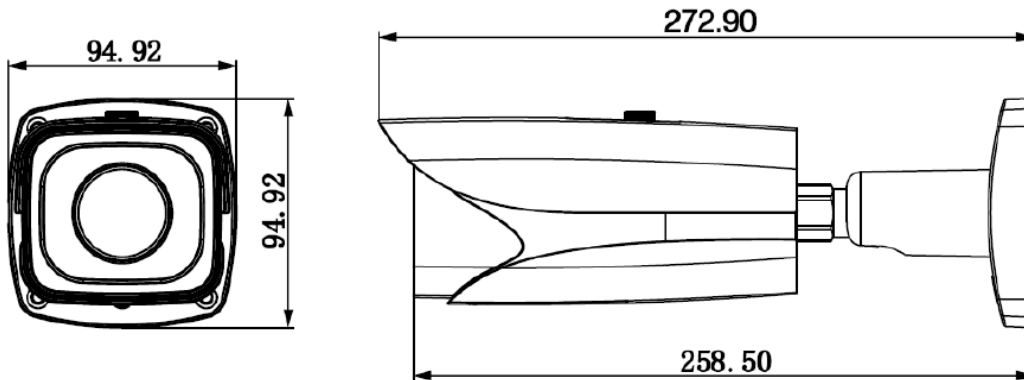
Model	DH-IPC-HFW81200E-Z	
Camera		
Image Sensor	1/1.7" 12Megapixel CMOS	
Effective Pixels	4000(H)x3000(V)	
Scanning System	Progressive	
Electronic Shutter Speed	Auto/Manual, 1/3(4)~1/100000s	
Min. Illumination	0.05Lux/F1.4(Color); 0Lux/F1.4(IR on)	
S/N Ratio	More than 50dB	
Video Output	1 channel BNC (1.0Vp-p,75Ω)	
Camera Features		
Max. IR LEDs Length	50m	
Day/Night	Auto(ICR)/Color/B/W	
Backlight Compensation	BLC / HLC / DWDR	
White Balance	Auto/Sunny/Night/Outdoor/Customized	
Gain Control	Auto/Manual	
Noise Reduction	3D	
Privacy Masking	Up to 4 areas	
EIS	Support	
Ultra Defog	Support	
Smart focus	Auto focus	
Lens		
Focal Length	4.1-16.4mm	
Max Aperture	F1.53	
Focus Control	Manual	
Angle of View	H: 84.5 ° ~ 34 °	
Lens Type	Zoom lens/Auto Iris	
Video		
Compression	H.264/H.264B/H.264H/ MJPEG	
Resolution	12M(4000x3000)/8M(4096x2160)/8M(3840x2160)/1080P(1920x1080)/720P(1280x720) /D1(704x576) /CIF(352x288)	
Frame Rate	Main Stream	12M(1~15fps)/8M(4096x2160) (1~25/30fps)
	Sub Stream	D1/CIF(1 ~ 25/30fps)
	Third Stream	1080P/720P/D1(1 ~ 25/30fps)
Bit Rate	H.264: 32Kbps~ 16Mbps	
ROI	Up to 4 areas	
Audio		
Compression	G.711a / G.711u/AAC	
Interface	1/1 channel In/Out	
Smart Function(Optional)		
Smart detection	Tripwire	
	Intrusion	
	Scene change	

DH-IPC-HFW81200E-Z


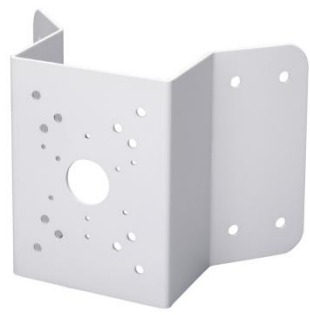

	Missing/Abandoned
	Audio detect
	Defocus detect
	Face detect
Network	
Ethernet	RJ-45 (10/100/1000Base-T)
Wi-Fi	N/A
Protocol	IPv4/IPv6, HTTP, HTTPS, SSL, TCP/IP, UDP, UPnP, ICMP, IGMP, SNMP, RTSP, RTP, SMTP, NTP, DHCP, DNS, PPPOE, DDNS, FTP, IP Filter, QoS, Bonjour, 802.1x
Compatibility	ONVIF, PSIA, CGI
Max. User Access	20 users
Smart Phone	iPhone, iPad, Android, Windows Phone
Auxiliary Interface	
Memory Slot	Micro SD, Max 128GB
RS485	N/A
Alarm	2/1 channel In/Out
General	
Power Supply	DC12V(AC24V optional), PoE (802.3at)
Power Consumption	Max24W (IR on)
Working Environment	-30°C~+60°C, Less than 95% RH
Ingress Protection	IP67
Dimensions	272.9mm×94.3mm×94.3mm
Weight	0.8Kg

DH-IPC-HFW81200E-Z

Dimensions (mm)



Accessory (optional)

PFA121	PFA151	PFA152
		

Dahua Technology Co., Ltd.

1199 BinAn Road, Binjiang District, Hangzhou, China

Tel: +86-571-87688883

Fax: +86-571-87688815

Email: overseas@dahuatech.com

www.dahuatech.com

*Design and specifications are subject to change without notice.

DH-IPC-HFW81200E-Z
