

## Wi-Fi Color Indoor Monitor



### Features

- 7-inch capacitive touch screen, resolution 1024×600
- IPC surveillance
- Alarm integration
- Group call
- 2-Door control
- Micro SD slot, max 32GB
- Record and snapshot (SD card needed)
- Wi-Fi & POE
- Surface mounted

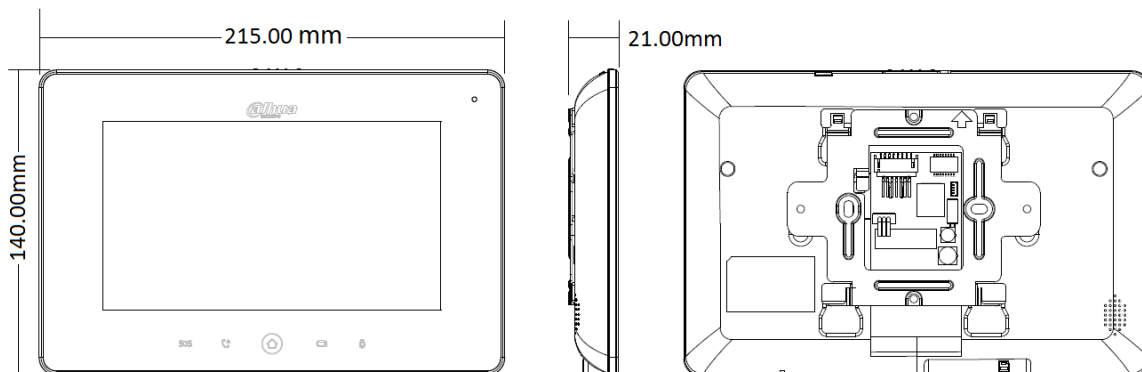
### Specifications

Model		DHI-VTH5221D(W)
System	Main Processor	Embedded Micro Process
	Operation System	Embedded LINUX OS
Video	Video Compression	H.264
Audio	Audio Compression	G.711
	Audio Input	All-direction Microphone
	Audio Output	Built-in Loudspeaker
	Bidirectional Talk	Support Dual-way Bidirectional talk
Display	LCD Screen	7" 1024x600, Capacitive

## DHI-VTH5221D(W)

<b>Operation Mode</b>	<b>Input</b>	Mechanical Keys
<b>Interface</b>	<b>Alarm In</b>	6
	<b>Alarm Out</b>	1
	<b>RS485</b>	1
<b>Network</b>	<b>Wi-Fi</b>	IEEE802.11b/g/n
	<b>Ethernet</b>	10M/100Mbps Self-adaptive
	<b>Network Protocol</b>	TCP/IP
<b>General</b>	<b>Memory Slot</b>	Micro SD, Max 32G
	<b>Installation</b>	Surface
	<b>Power</b>	DC 12V, PoE(802.3af)
	<b>Power Consumption</b>	Standby $\leq 1W$ , Work $\leq 8W$
	<b>Working Temperature</b>	$-10^{\circ}C \sim +55^{\circ}C$
	<b>Relative Humidity</b>	10%~90%RH
	<b>Dimensions</b>	215mm×140mm×21mm
	<b>Weight</b>	0.8Kg

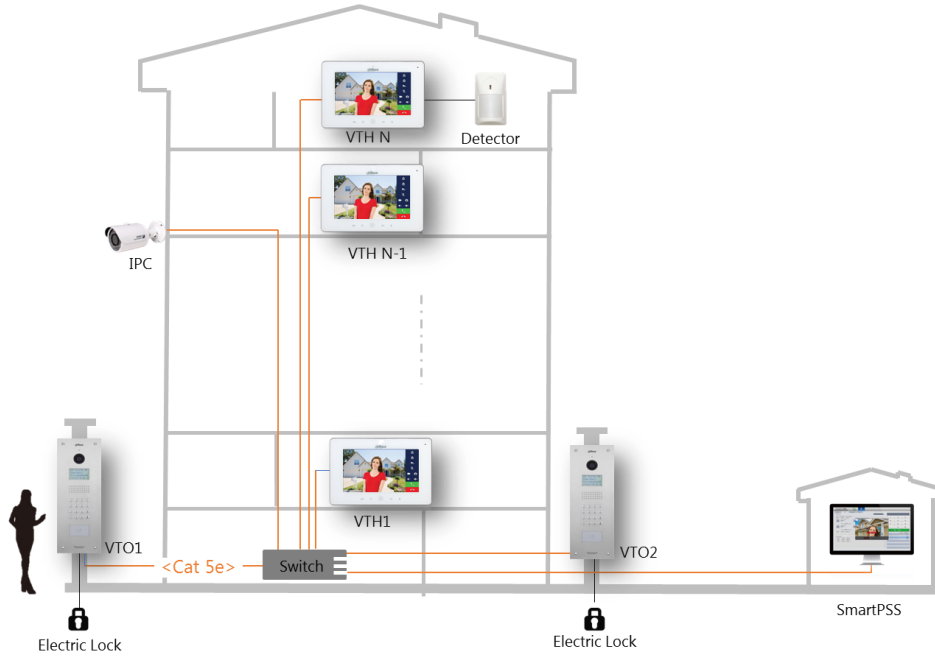
## Dimensions



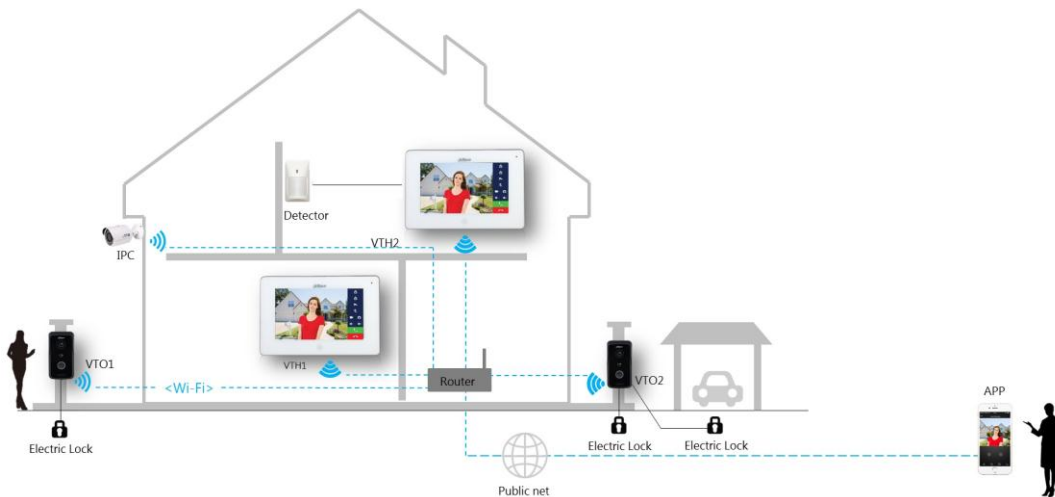
# DHI-VTH5221D(W)

## Application

### 1 – IP Apartment Solution



### 2 – Wi-Fi Villa Solution



#### Dahua Technology Co., Ltd.

1199BinAn Road, Binjiang District, Hangzhou, China

Tel: +86-571-87688883

Fax: +86-571-87688815

Email:overseas@dahuatech.com

www.dahuatech.com